

# TOP LOAD WASHERS

## Re: Construction Specifications for Custom-Built Commercial Appliance Outlet Centers (Bulkheads)

- Frame Construction:** Rectangular gavanized steel tube construction is used. This provides the rigidity and strength without adding to the weight. The frame is designed to be rigid and strong without any obstructions in the way of your equipment hookups or service access.
- Frame Width:** All of our cabinets are custom-built to suit your individual needs. For pricing purposes we have created our price books with a standard size of 14-1/2". For all other sizes please contact the factory.
- Frame Height:** The finished height will be determined by the customer. We recommend not to exceed one inch higher than the tallest washer. For pricing purposes our price book is figured this way. (Average height is 46".)
- Frame Length:** The frame length will be determined by the customer. The industry standard is 1/4" between washers, or as desired. (Our standard top load layout is 1/4".)
- Cabinet Sections:** Any one unit over 20' long will be split into two sections. Each section will come with the necessary hardware to connect the cabinets back together on the project site.
- Water Lines:** All water lines are type "L" hard copper or Aquapex tubing and pressure tested to 120 psi. 1/2" hot and cold ball valves are furnished for each washer. Water lines are sized for a maximum velocity of 8 ft./sec.
- Water Drainage:** The water drain in the cabinets is a PVC drain. It is ASTM 2665 DWV and is assembled according to ASTM D 2855 standards. One of our standard drainage models will usually comply with a particular plumbing code. For alternate configurations please contact the factory. (Troughs are available)
- Electrical:** All 15 amp services are wired with a #12 THHN solid copper wire. All wire is run in EMT conduit. A separate circuit breaker and receptacle is furnished for each appliance. All electrical service complies with the National Electric Code.
- Service Connections:** All of the cabinet service connections are located at the same end unless otherwise specified. A plumbing rough-in diagram is on page 4.
- Tops & End Caps:** Top covers are made of 3/4" Medex, water resistant panel covered with prefinished marlite paneling on both sides and trimmed with a PVC edging. All of the end panels are 8" wider than the cabinet. This allows the end cap to conceal the space between the cabinet and the appliance. For a surcharge we have a variety of decorative plastic laminates available, should you desire a decorative pattern.

# OPTIONAL EQUIPMENT FOR TOP LOAD WASHERS

Back to Back Models and Single Line Models

## Electrical:

**Note: All 3-phase panels are wired for 3-phase 120/208 volt wye unless otherwise specified.**

1. Extra 120 volt 15 amp single phase electrical outlet
2. Extra 120 volt 15 amp single phase duplex receptacle - mounted through the end panel with a water tight cover
3. 240 volt single phase 15 or 20 amp pigtail in lieu of 120 volt single phase outlet
4. Extra 240 volt single phase 15 or 20 amp pigtail
5. Load Center Locks

## Water Supply:

6. Extra hose bibs
7. 3/4" hot water return line:  
Back to Back Models  
Single Line Models

## Frames Tops and End Panels:

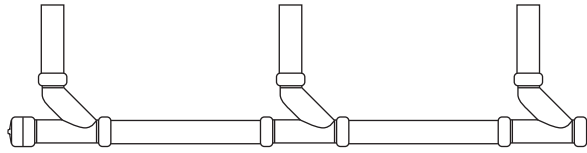
(14-1/2" wide frames)

8. Variation in height/width of a bulkhead, per variation
9. Extra length of bulkhead, per linear foot
10. Extra marlite top covers, per linear foot
11. Extra marlite end panels, each
12. Laminated tops in lieu of marlite, per linear foot
13. Laminated end panels in lieu of marlite, each
14. Extra marlite paneling, attached, per square foot

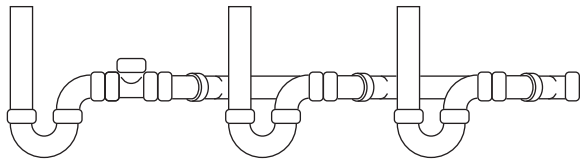
# PUMP DISCHARGE - STANDARD MODELS AVAILABLE

**These models contain no drain**

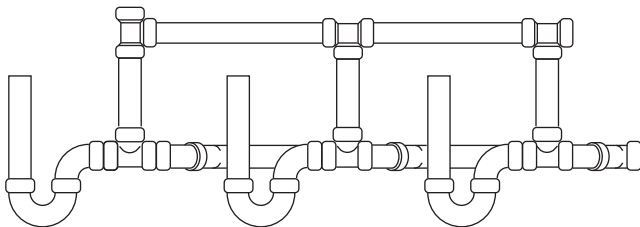
- BBND** – Back to Back Model, contains no drains
- SLND** – Single Line Model, contains no drains



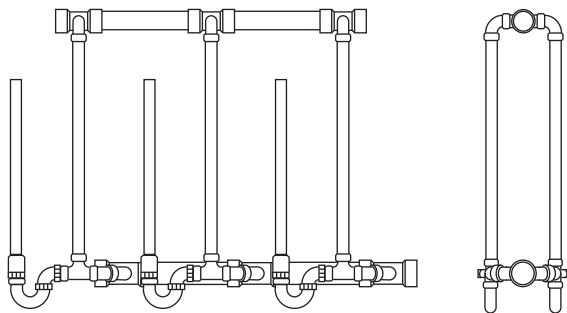
- BBPD** – Back to Back Model
- SLPD** – Single Line Model - 1 riser per 3 washers. 4" PVC pipe with 4" comb. Y & 1/8th bend and 4" riser for each 4 washers. Cleanout plug provided at high end.  
*Note: This model is not intended for direct connection to the sewer*



- BBPDP**– Back to Back Model
- SLPDP**– Single Line Model - 1 riser per 3 washers. 4" PVC pipe with 4" P trap and riser for each 4 washers – Cleanout plug provided at high end.  
*Note: This model is not intended for direct connection to the sewer*

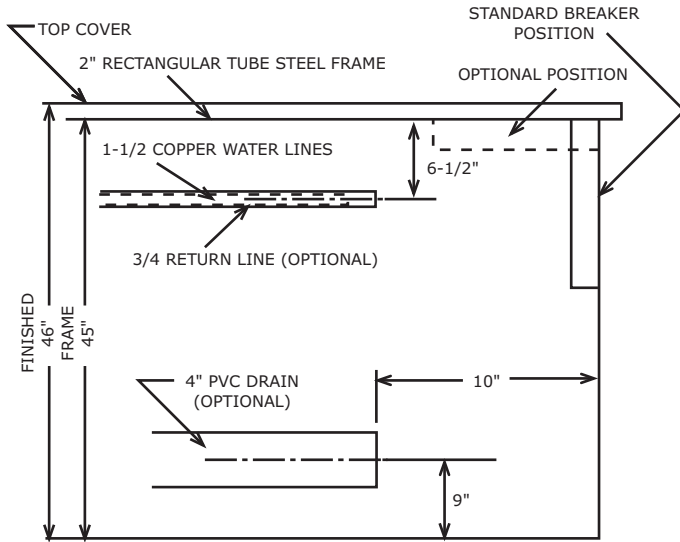


- BBPDV** – With optional circuit vent.
- SLPPV** – Single Line Model - 1 riser per 3 washers. Same as above except each trap is vented back to 4" vent.

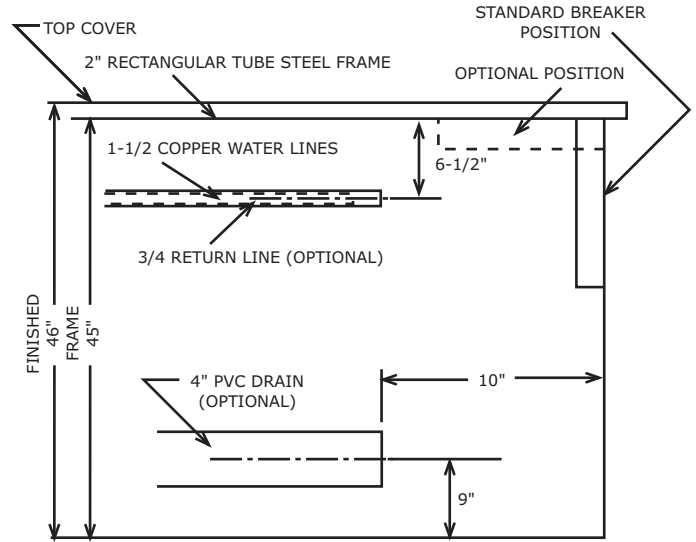


- BBPDYY** – Back to Back Model
- SLPDYY** – Single Line Model - 4" PVC pipe with 4" x 3" comb. Y and 1/8 bend with 2" P traps and risers for each washer with continuous vent. Cleanout plug provided at high end.

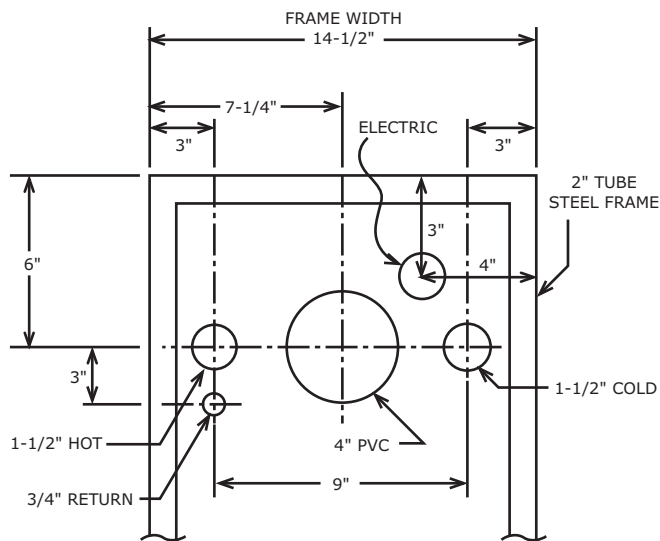
# ROUGH-IN PLUMBING DIAGRAM FOR PUMP DISCHARGE MODELS



**\*14-1/2" WITH PUMP INSTALLED**



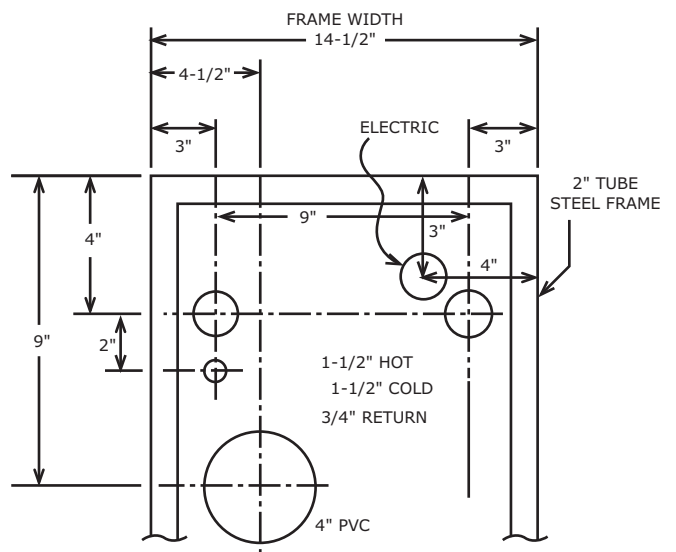
**\*14-1/2" WITH PUMP INSTALLED**



## FLOOR PLAN – STUB UP

Use these dimensions from models listed below:

Back to Back	Single Line
BBPD	SLPD
BBPDYY	SLPDYY



## FLOOR PLAN – STUB UP

Use these dimensions from models listed below:

Back to Back	Single Line
BBPDP	SLPDP
BBPDS	SLPDS
BBPDV	SLPDV